

# Wafer Thickness Measuring Instruments >>>

## Dedicated High Precision Wafer Thickness Measuring System Wafer Thickness Measuring Instruments

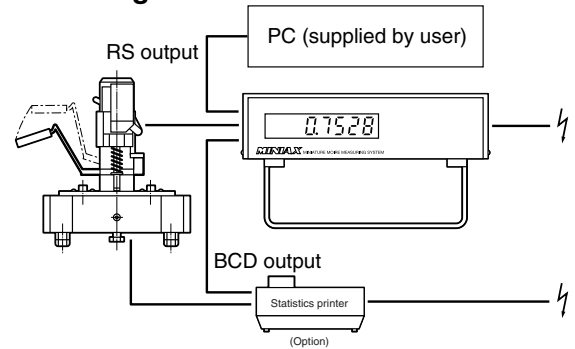


Picture shows 6-inch model

### Features

- Can be used with various wafer sizes (3, 4, 5, 6, 8, 12 inches)
- For each wafer size setup replacement can be performed by changing the position of the stopper pin.
- Printout instruction issued (to printer or PC) by lift lever.

### Configuration



### Wafer Thickness Data Management

#### 1 Data collection function (option)

The RS-232C function in combination with the data link software makes it possible to send data automatically for each workpiece measurement to Microsoft Excel, running on a PC.

#### 2 Print function

An optional printer can be connected to the BCD output equipped as standard on the display unit for automatic printout of data for each workpiece measurement.

### Specifications

Model	6 inch Wafers	8 inch Wafers	12 inch Wafers	
Product Codes	0902501	0902505	0902511	
Accuracy (at temperature of 20°C± 1°C)	Cumulative indication error: ±0.15 μm / within 3mm stroke Repeatability: 0.2 μm (2σ)			
Measuring unit	Detector	PH-01		
	Measuring force	1.2 - 2 N / 0 - 5mm stroke		
	Wafer diameter	φ 3", φ 4", φ 5", φ 6"	φ 3", φ 4", φ 5", φ 6", φ 8"	φ 3", φ 4", φ 5", φ 6", φ 8", φ 12"
	Retract stroke	5 mm	5 mm	5 mm
	Dimensions	160(W) × 175(D) × 185(H) mm	200(W) × 210(D) × 185(H) mm	300(W) × 291(D) × 185(H) mm
Display unit	Model	DH-151		
	Display	Green fluorescent display tube		
	Digits	7 and "-" symbol		
	Min. display value	0.0001 mm (0.1 μm)		
	Dimensions/weight	278(W) × 300(D) × 81(H) mm, Approx. 2.7 kg		
	Power source	AC 85 - 250 V, 50/60 Hz, 10 VA		
	Power cable	3m, AC separatrix provided		

### Option

Product Codes	Product Name	Model	Remarks
0902531	Wafer thickness measuring instrument master	A004646/7/8	For core adjustment, for core height check, storage box
0903093	RS-232C output	A715563	With 3 m cable
0903095	Data link software (for MINIAX)		EXCELL 2000 add-in, used with 0903093
0902541	Wafer thickness measuring instrument statistic printer set		A061440 (E-PR-1000); connection cable (display⇔printer); signal cable (stand⇔printer)